

Artcoustic^{FIC}

PDA1000 OWNERS MANUAL



www.artcoustic.com

Welcome to the world of Artcoustic!

PDA1000 Amplifier

The Artcoustic PDA1000 is a professional 2-channel, digital amplifier which performs smoothly and accurately, even in the most demanding conditions.

Designed in-house, the PDA1000 offers incredible 2-channel, or bridged single-channel performance, in a rack mountable chassis, just 1U high. It combines high performance with a silent and speed efficient, dual-fan cooling system making it a suitable solution for almost any application.

Use it in recording studios, or commercial applications such as bars, restaurants & hotels, as well as high quality Hi-Fi and home cinema systems.

It features two amp modules with a total of 450 watt, 8 ohm per channel, or bridged, single-channel 1000 watt, 8 ohm. It has been optimized to complement all the Artcoustic subwoofers' impedance and tonality, making it the perfect match with amazing detail, control and dynamics.

Thank you for purchasing the Artcoustic PDA1000.

All the best,
The Artcoustic Team

PDA1000 FEATURES

Small size and weight

PDA1000 only occupies a 1U rack space and weighs as little as 2.8 kg making it an ideal choice in an already crowded equipment rack.

Incredible class D amplifier performance

2 x 300 watt 8 ohm and 1000 watt single channel bridged.

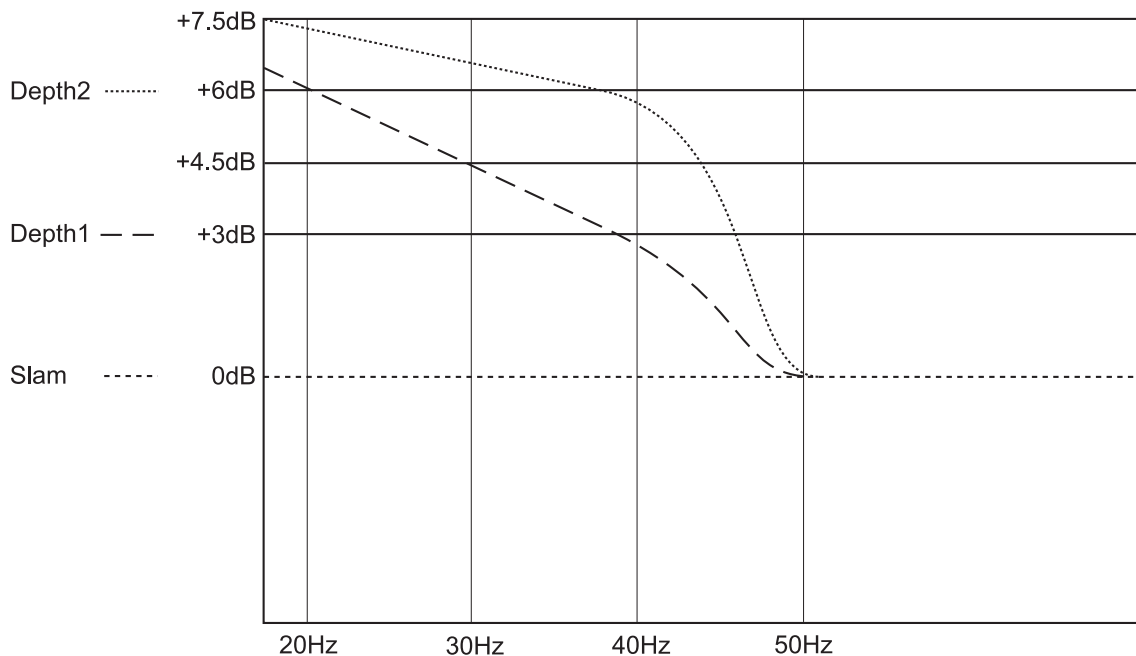
Convenient features

- Input sensitivity control
- Signal presence, clip and protection indicator
- Balanced input via XLR
- Stable performance down to 4 ohms
- Auto turn on, turn off - signal sensing 30 minutes
- Crossover, low-pass, full range, 100 Hz and 400 Hz 24 dB per octave
- Crossover, high-pass, full range, 100 Hz and 400 Hz 24 dB per octave
- ASOF (Artcoustic Subwoofer Optimized Filter) Slam, depth 1 and depth 2
- High current bi-polar class D technology
- Extended protection circuit

Ensure the input setting switch is moved to the correct position for the application.

The EQ switch is designed specifically for Artcoustic subwoofers. A good starting point **Depth 1**.

ASOF EQ. Filters and filter slopes explained.



Slam

Flat response with no EQ added to the signal. Recommended setting for environments where less dynamics and lower distortion is required.

Depth 1

EQ slope optimized for smaller Artcoustic subwoofer models, such as IWS-10, CPH-10 and Impact 1 subwoofer. The Depth 1 setting, mainly enhances the very deep frequencies, below 35 Hz. This setting is good for installations with main focus on 2-channel music reproduction.

Depth 2

EQ slope optimized for the medium to large Artcoustic subwoofers.

The Depth 2 setting has a more conservative slope and a 10 Hz higher entry point, enhancing frequencies from around 45 Hz and down. This setting is optimised for cinema and public address installations.

SPECIFICATIONS

PDA1000 Technical Specification

stereo:

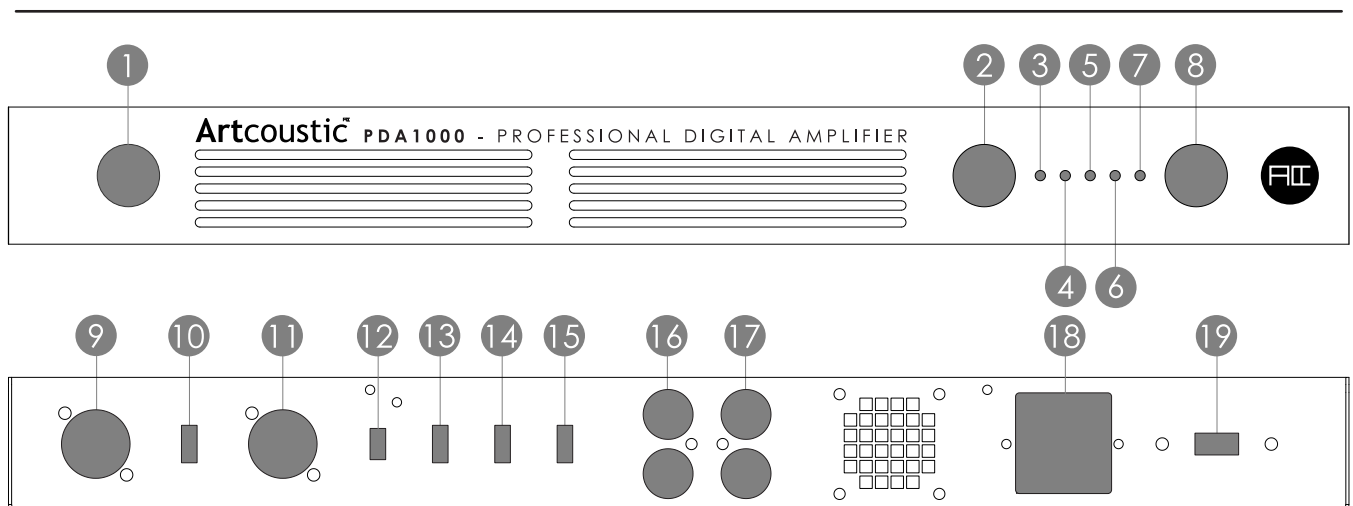
4Ohm (500W+500W)
8Ohm (300W+300W)
12Ohm (240W+240W)
16Ohm (180W+180W)

Bridged:

4Ohm not recommended
8Ohm(1000W)
12Ohm (800W)
16Ohm(600W)

Max Power Consumption: 1300 watt / 3400 BTU/H

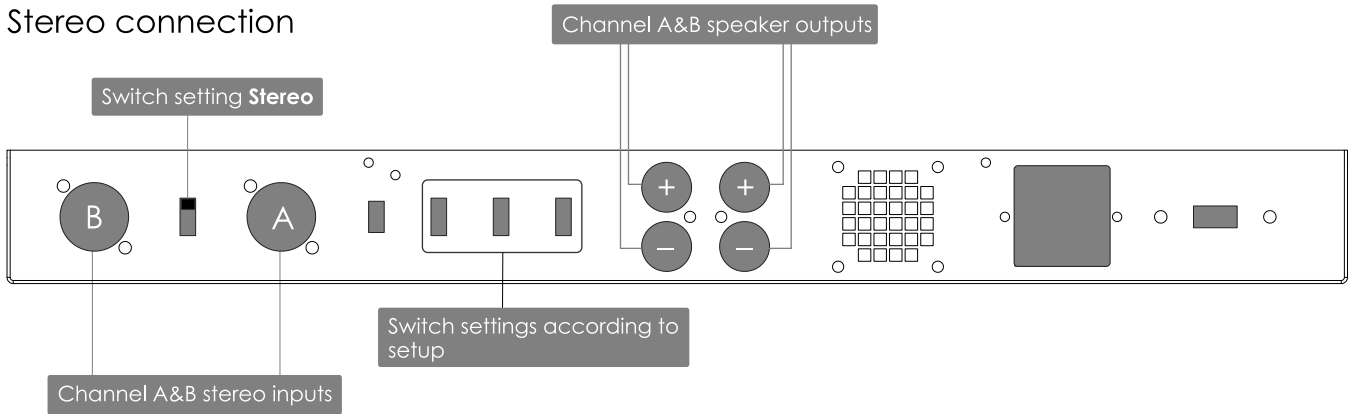
- Full range: 20 Hz - 20 KHz \pm 0.5 dB
- Low-pass: 100 Hz 24 dB/oct 400 Hz 24 dB/oct
- Hi pass: 100 Hz - 20 KHz 24 dB/oct 400 Hz - 20 kHz 24 dB/oct
- S/N Ratio: >103 dB
- THD (at 1 watt into 8 ohms) 1KHz <0.05%
- Damping factor: >300
- Input impedance: 20 Kohms balanced
- Maximum input level: 7 V
- Load impedance: 4-8 ohm
- Input sensitivity: (0 dB)
- Power supply: 115 V/230 V-50/60 Hz
- Input terminal: XLR
- Output terminal: Binding post
- Protection: Heat, over current, Short and DC
- Dimensions (H x W x D) : 44 x 430 x 180 mm
- Weight: 2.6 Kg



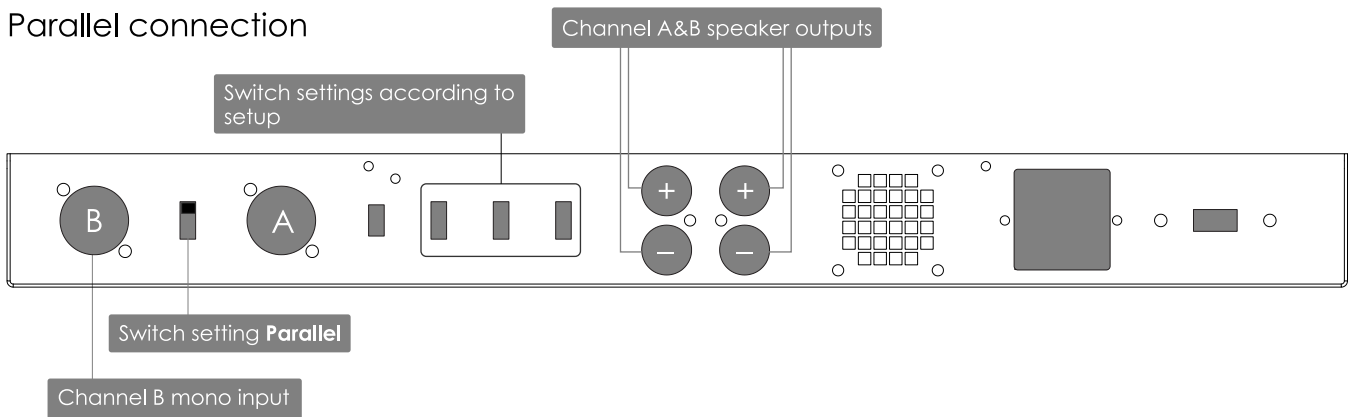
1. On/Off Switch
2. Channel A Volume Control
3. Channel A Signal Indicator
4. Channel A Clip Indicator
5. Power On Indicator
6. Channel B Clip Indicator
7. Channel B Signal Indicator
8. Channel B Volume Control
9. Channel B XLR Balanced Input (**Bridged Subwoofer Input**)
10. Input Setting, Parallel, Stereo and Bridged
11. Channel A XLR Balance Input
12. Ground Lift
13. High-Pass Filter
14. Low-Pass Filter
15. ASOF EQ
16. Channel B Speaker Outputs
17. Channel A Speaker Outputs
18. AC Power Socket
19. Voltage Selector (**Check correct voltage**)

CONNECTIVITY

Stereo connection

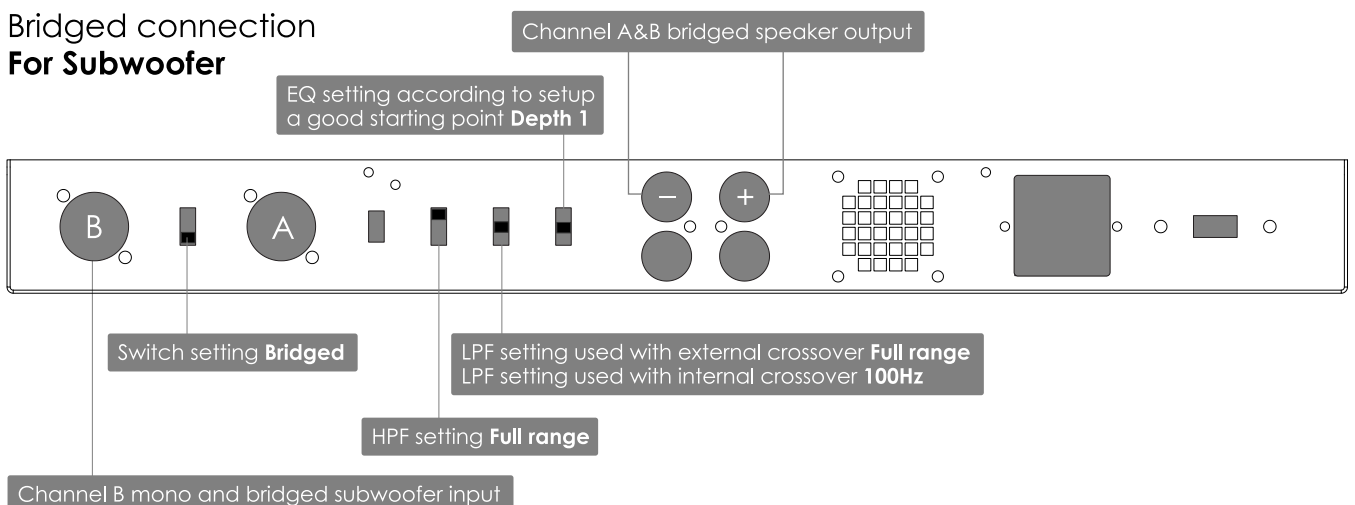


Parallel connection



IMPORTANT SUBWOOFER SETTINGS

Bridged connection For Subwoofer

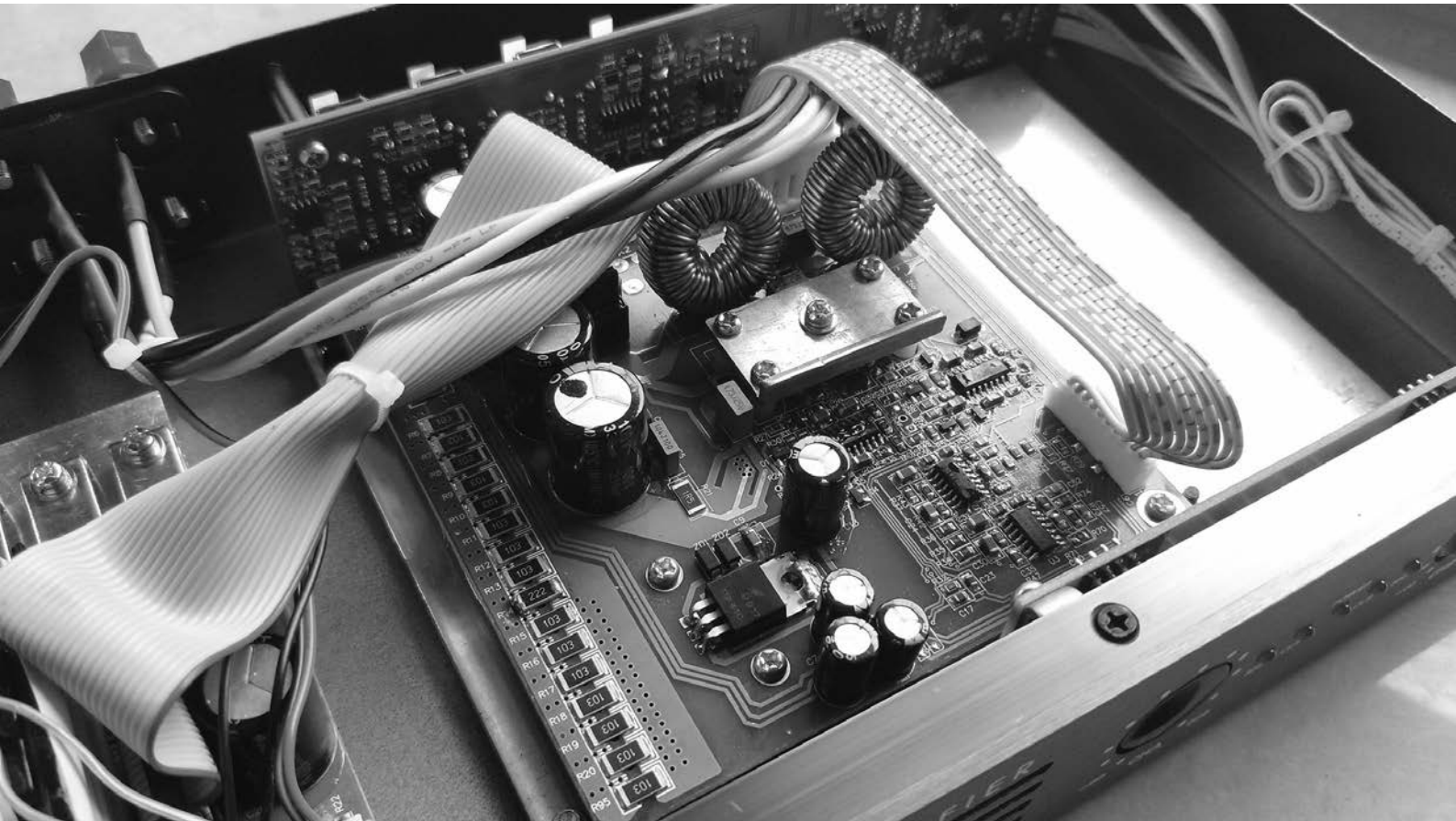




Precision milled anodized Aluminum front plate and coated low weight steel cabinet



Slim 1U profile form factor, to free up space in the already crowded equipment rack



State-of-the-art Class D amplifier technology, with on-board advanced electronic crossover and DSP subsonic EQ filtering.

SAFETY INSTRUCTIONS

SAFETY:

1. Do not use this product near water.
2. Clean rear panel only with dry cloth.
3. Do not block any ventilation openings.
4. Do not install near any heat sources, such as radiators, heat registers, stoves.
5. If wall mounted, make sure sufficient rawl plugs and matching screws are being used.

Refer all servicing to qualified service personnel. Servicing is required when the product has been damaged in any way, such as power-supply cord or plug is damaged, liquid has been spilled or objects have fallen into the product, the product has been exposed to rain or moisture, does not operate normally or has been dropped. To completely disconnect unit power from the AC mains, disconnect the unit's power cord from the mains socket.

WARNING:

To reduce the risk of fire and electric shock do not expose this product to rain or moisture.

1. Do not place product filled with liquids such as vases on the product .
2. Do not open product. There are no user-serviceable parts inside.
3. Always use the power supply shipped with this product, using a power supply with wrong voltage or polarity, can damage the electronic

This product complies with Part 15 of the FCC Rules. Its operation is subject to the following two conditions:

This product may not cause harmful interference.

This product must accept any interference received, including interference that may cause undesired operation.

Changes or modifications not expressly approved by the party responsible for compliance could void the user's authority to operate the equipment.

WARRANTY:

Is valid only for products purchased from an authorized Artcoustic retailer or dealer.

Is valid from the date of purchase for a period of 3 years for passive loudspeakers, 2 years for powered loudspeakers and electronics.

Is limited to the repair of the equipment (which could be a repair or replacement at our discretion, neither of which affects your original warranty). Neither transportation, nor any other costs, nor any risk for removal, transportation and installation of products is covered by this warranty.

Is only valid for the original owner. It is not transferable.

Will not be applicable in cases other than defects in materials and/or workmanship at the time of purchase and will not be applicable:

For deterioration of component parts, the nature of which is to become worn or depleted with use, such as batteries.

For damages caused by incorrect installation, connection or packing.

For damages caused by any use other than correct use described in the user manual, negligence, modifications, or use of parts that are not made or authorized by Artcoustic UK Ltd.

For damages caused by faulty or unsuitable ancillary equipment.

For damages caused by accidents, lightning, water, fire heat, war, public disturbances or any other cause beyond the reasonable control of Artcoustic UK Ltd. And its appointed distributors.

If it is found necessary to return the product for repair, you may be given a Return Merchandise Authorization. You should not return the product without this authorization, if given.

To validate your warranty, you will need to produce the original sales invoice or other proof of ownership and date of purchase.

Artcoustic^{FR}



www.artcoustic.com